

Model No :: **63112LEDD-IGLD**
 Name :: Vortex



Project Name :: _____
 Location :: _____
 Type :: _____
 Quantity :: _____
 Notes :: _____

Product Information

Product ID :: 63112
 UPC Code :: 641594225211
 Mounting Type :: Ceiling
 Finish :: Inspired Gold (IGLD)
 Diffuser :: 0
 Alt. Finishes :: Brushed Steel (BS); Inspired Gold (IGLD)
 Alt. Diffusers :: 0

Product Dimensions

Fixture	Canopy
Length :: N/A	Length :: N/A
Width :: N/A	Width :: N/A
Diameter :: 33.25"	Diameter :: 6"
Extension :: N/A	Height :: 1.5"
Height :: 14.75"	
Overall Height :: 17-59"	

Technical Specifications

Qualifications

Location Rating :: Dry
 Certification :: ETL Listed (US/Canada)
 IES File ::
 JA8 Compliant :: No
 Energy Star :: No
 ADA Compliant :: No
 Marine Grade :: No
 Emergency Lighting :: No
 Warranty :: 5 Year Limited

Specifications

Frame Material :: Aluminum
 Diffuser Material :: Acrylic
 Voltage :: 120v
 Lamping Type :: Dedicated LED
 Lamping Base :: SSL
 Lamp Quantity :: 8
 Lamp Wattage :: 7 W
 Total Wattage :: 56w
 Lamps Included :: Yes
 J-Box Type :: Standard

Photometrics

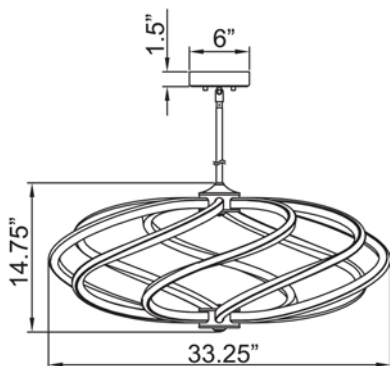
CCT :: 3000
 CRI :: 85
 Wattage :: 56w
 Nominal Lumens :: 4760Lm
 Delivered Lumens :: N/A

Recommended Dimmers

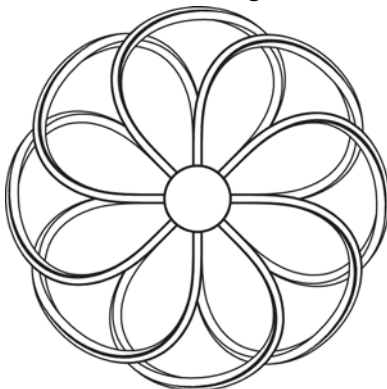
(ELV) LUTRON Diva DVELV-300P; (ELV) LUTRON Maestro MAELV-600; (ELV) LUTRON Skylark SELV-300P; (TRIAC) LEVITON Decora Sureslide 6674; (TRIAC) LEVITON illumatech IPI06

Additional Items :: 0

Line Drawing #1



Line Drawing #2



IES File

Image Not Available

Toll Free 800-828-5483 • www.AccessLighting.com

14410 Myford Road, Irvine, CA 92606

The information provided is subject to change without notice. ©2020 Access Lighting Corporation. All Rights Reserved
 Rev. 202004 Filename:: 63112LEDD-IGLD.pdf

