

Model No :: **29010LEDDLDP-BL/WMB**  
 Name :: I-Biza



Project Name :: \_\_\_\_\_  
 Location :: \_\_\_\_\_  
 Type :: \_\_\_\_\_  
 Quantity :: \_\_\_\_\_  
 Notes :: \_\_\_\_\_

**Product Information**

Product ID :: 29010  
 UPC Code :: 641594234947  
 Mounting Type :: Ceiling  
 Finish :: Black (BL)  
 Diffuser :: White Marble (WMB)  
 Alt. Finishes :: Black (BL)  
 Alt. Diffusers :: White Marble (WMB)

**Product Dimensions**

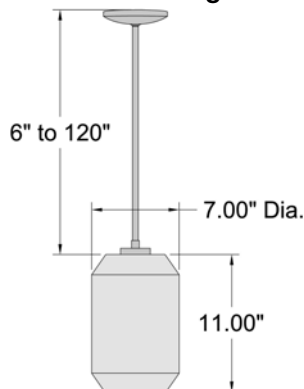
<b>Fixture</b>		<b>Canopy</b>
Length ::	N/A	Length :: N/A
Width ::	N/A	Width :: N/A
Diameter ::	7"	Diameter :: N/A
Extension ::	N/A	Height :: N/A
Height ::	11.5"	
Overall Height ::	N/A	



**Technical Specifications**

Qualifications	Specifications	Photometrics	Recommended Dimmers
Location Rating :: Damp	Frame Material :: Glass	CCT :: 3000	(ELV) LUTRON Skylark SELV-300P; (MLV) COOPER Aspire 9530SW; (TRIAC) LEGRAND Titan CD703-PW
Certification :: UL Listed (US/Canada)	Diffuser Material:: Glass	CRI :: 90	
IES File ::	Voltage :: 120v	Wattage :: 10w	
JA8 Compliant :: Yes	Lamping Type :: Replaceable LED	Nominal Lumens :: 800Lm	
Energy Star :: No	Lamping Base :: E-26	Delivered Lumens :: N/A	
ADA Compliant :: No	Lamp Quantity :: 1	Additional Items :: 0	
Marine Grade :: No	Lamp Wattage :: 10 W		
Emergency Lighting :: No	Total Wattage :: 10w		
Warranty :: 1 Year Limited	Lamps Included :: Yes		
	J-Box Type :: Standard		

**Line Drawing #1**



**Line Drawing #2**

Image Not Available

**IES File**

Image Not Available

**Toll Free 800-828-5483 • www.AccessLighting.com**

14410 Myford Road, Irvine, CA 92606

The information provided is subject to change without notice. ©2020 Access Lighting Corporation. All Rights Reserved  
 Rev. 202004 Filename:: 29010LEDDLDP-BL\_WMB.pdf

